

Valves / Radiator Valves / Radiator Return Valves

CONSTRUCTIVE PROPERTIES

	STANDARD	OPTIONAL
Radiator Connection	G 1/2" B	-
Sealing	Brass	-
Nominal Diameter	DN 15	-
Installation Connection	G 1/2" B	-
Open-Close Wheel	Plastic (White)	-
Material of Case	Brass - Nickel Plated	-

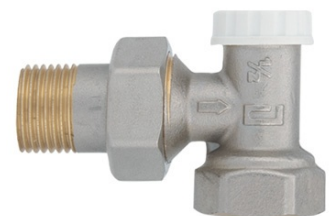
USAGE PROPERTIES

Storage Temperature	-20 ... +60 °C	-
Conformity	TS 579	-
Max. Water Temp.	120°C	120°C
Max. Pressure	10 bar	10 bar



095821

Radiator Return Valves

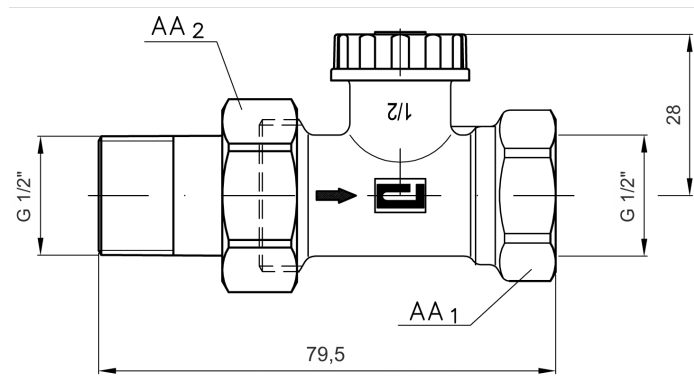


095811

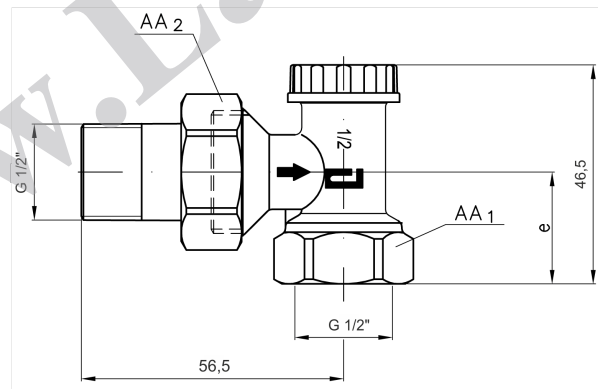
Angled Type

www.Laheghi.com

Valves / Radiator Valves / Radiator Return Valves



Model No: 095821

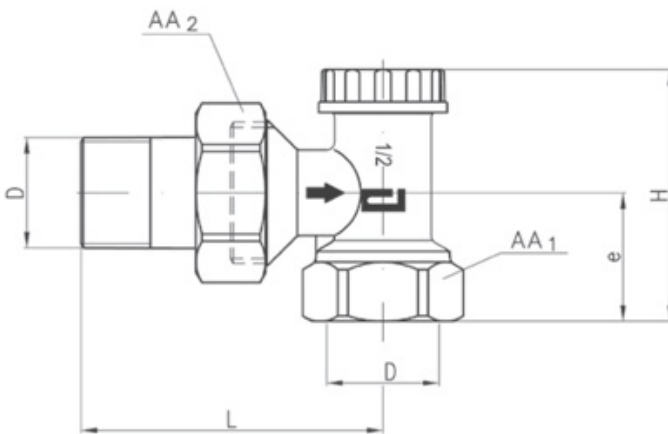


Model No: 095812

PAKKENS® VALF

Lockshield Valves

▶ Angled Lockshield Valves



Sand Blasted

Nickel Plated

PN 10

RoHS

TSE

TS 579

TS EN ISO 9001:2008

PG

Usage Temperature

Max. 120 °C

Usage

Angled Type

Areas of Usage

Radiator connections in heating systems

Nominal Pressure

PN10

Connection Sizes

DIN ISO 228/1

Optional

Chrome Plated

Connection Sizes

	Code #		D	H	e	L	AA ₁	AA ₂	Kg
	Nickel	Chrome							
Standard Union	0958110000	0958120000	G 1/2"	46,5	24,5	56,5	27	30	0,176
Double O-Ring	0958510000	0958520000	G 1/2"	46,5	24,5	56,5	27	30	0,183